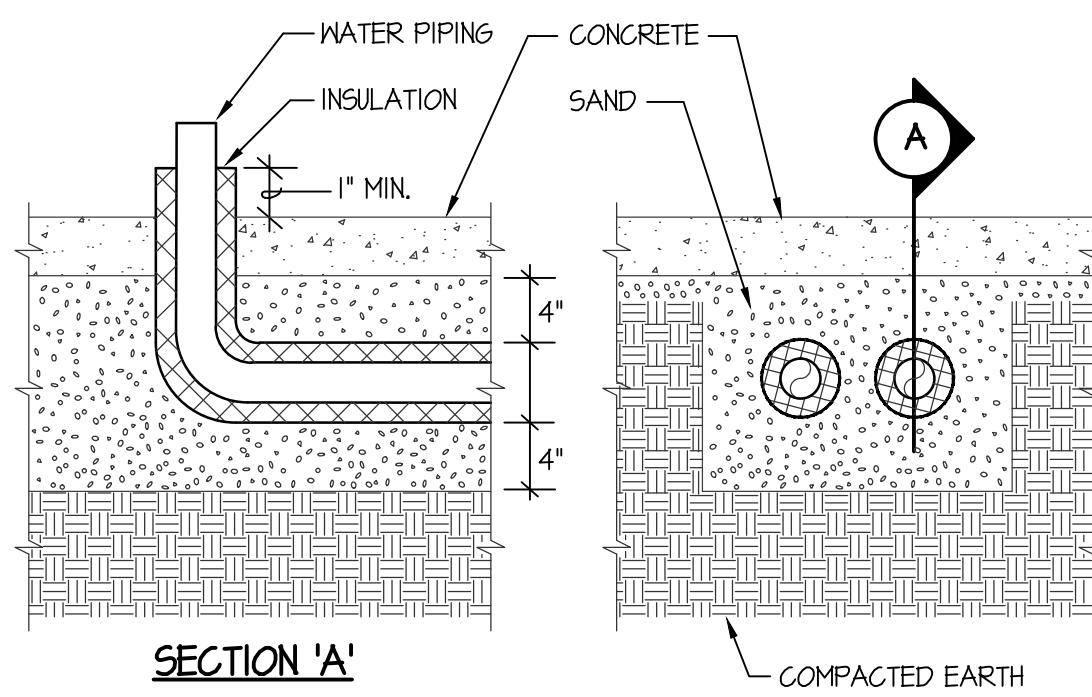
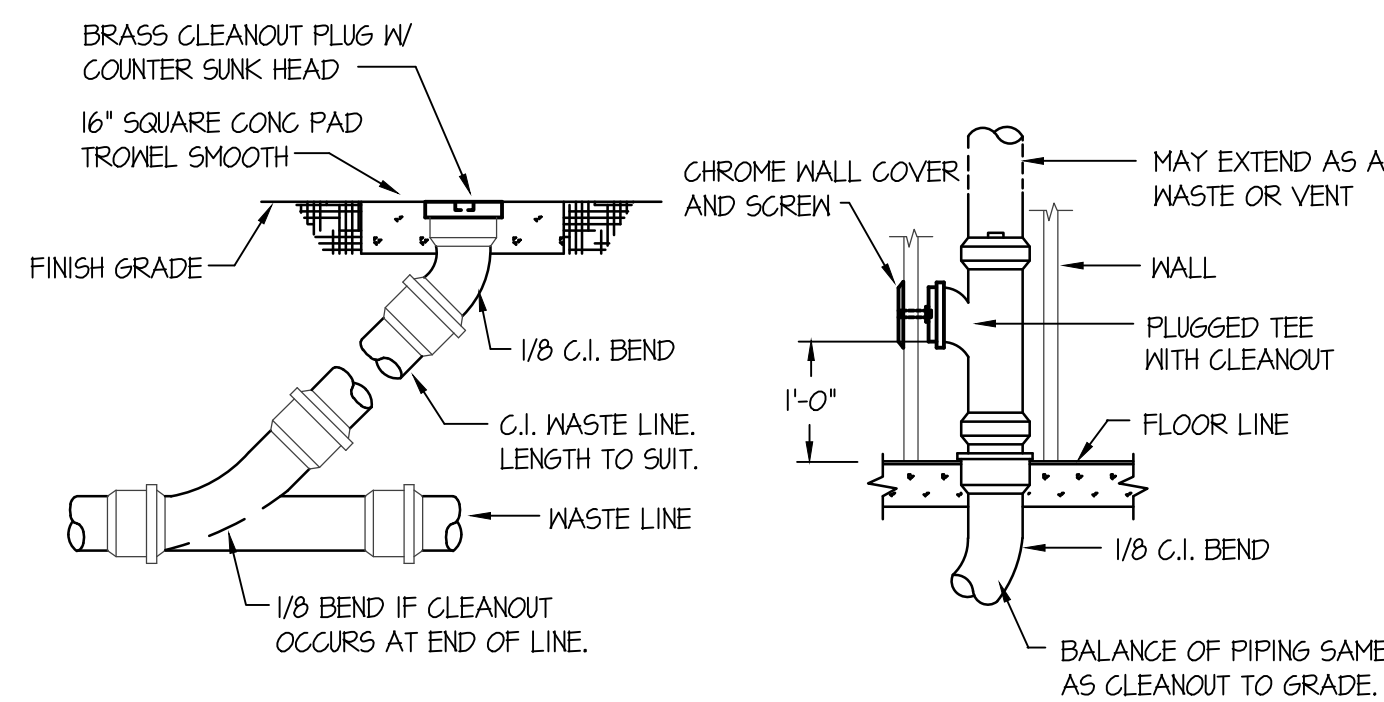


**GAS LINE CONNECTION DETAIL**  
NO SCALE



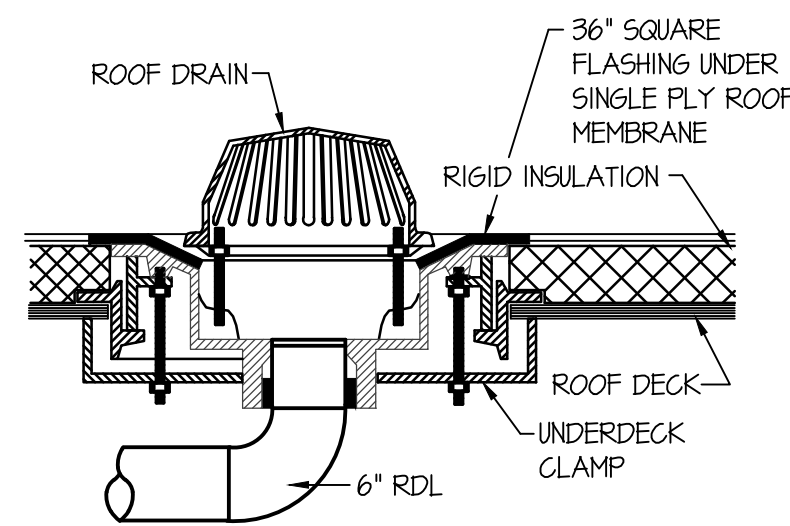
- NOTES:**
- 1 - ALL WATER PIPING INSTALLED UNDERFLOOR SHALL BE TYPE "K" COPPER OR PEX POLY PIPE.
  - 2 - WATER PIPE INSULATION ON UNDERFLOOR PIPING SHALL BE ARMAFLEX 3/4" THICK RUBBER PIPE INSULATION. TAPE INSULATION AT ALL SEAMS.
  - 3 - MINIMUM PIPE SIZE UNDERFLOOR SHALL BE 3/4" FOR COPPER, 1/2" FOR PEX
  - 4 - SAND FILL AROUND PIPING SHALL BE A MINIMUM OF 4" THICK. MATERIAL SHALL BE HAND TAMPED, RODDED OR LIGHTLY COMPACTED DURING INSTALLATION. CARE SHOULD BE TAKEN NOT TO DEFORM OR OTHERWISE DAMAGE PIPING OR INSULATION.

**UNDER SLAB PIPE INSTALLATION DETAIL**  
NO SCALE

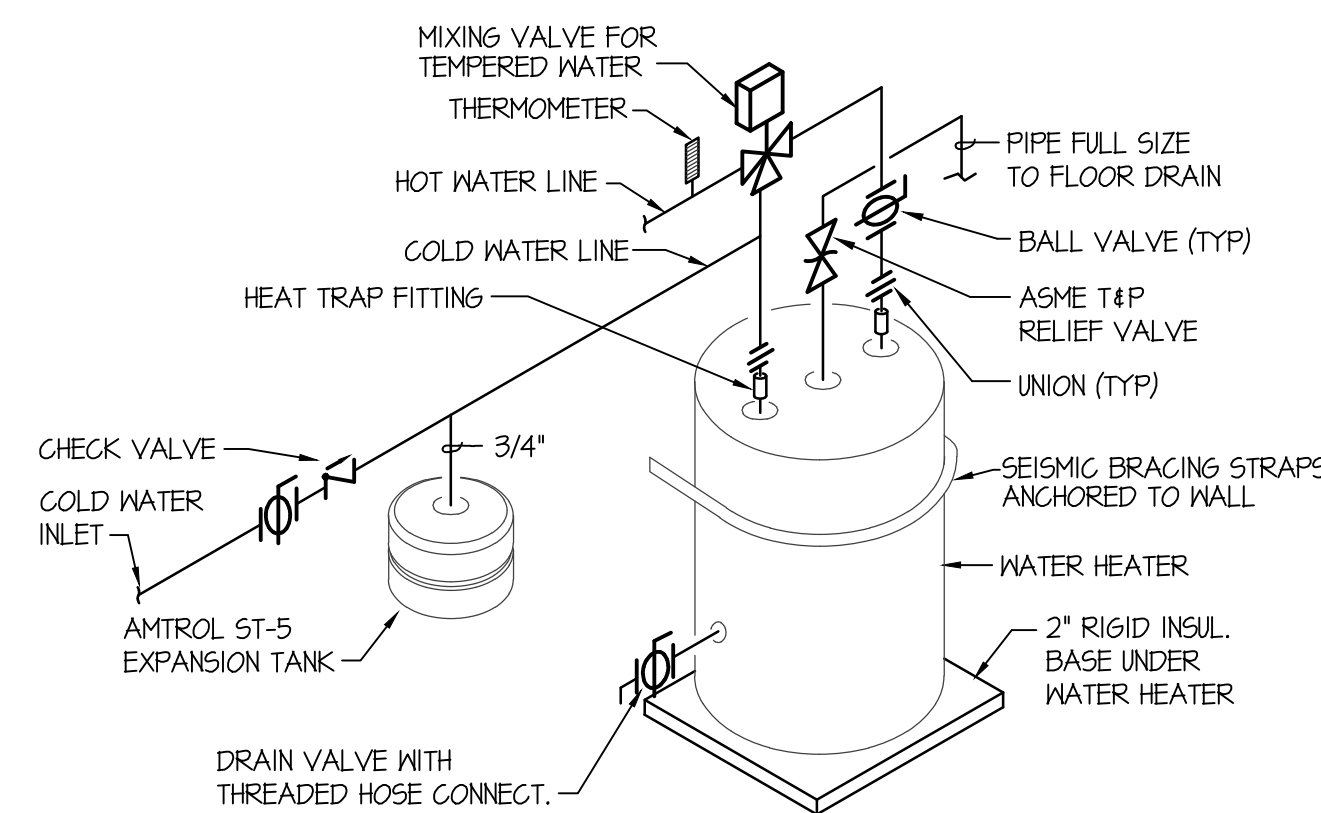


**CLEANOUT TO GRADE (COTG) WALL CLEANOUT (WCO)**

**CLEAN OUT DETAILS**  
NO SCALE



**ROOF DRAIN DETAIL**  
NO SCALE



**WATER HEATER PIPING DIAGRAM**  
NO SCALE

FIXTURE SCHEDULE					
SYM.	DESCRIPTION	HOT	COLD	WASTE	VENT
(DS-1)	ROOF DRAIN DOWN SPOUT - JAY R SMITH MODEL 1710 SIZE 6" WITH ROUGH BRONZE FINISH AND 6" DRAIN LINE CONNECTION.	---	---	6"	---
(ES-1)	ESPRESSO STATION - FURNISHED BY OWNER AND INSTALLED BY CONTRACTOR. ROUGH-IN AND CONNECT 1/2" HOT WATER LINE WITH SHUT-OFF VALVE. RUN DRAIN LINE TO FLOOR SINK.	1/2"	---	3/4" TO (FS-1)	---
(FD-1)	2" FLOOR DRAIN - ZURN Z-415B WITH 5"Ø NICKEL-BRONZE STRAINER AND 2" DEEP SEAL P-TRAP.	---	---	2"	2"
(FS-1)	FLOOR SINK - ZURN Z-1900-KC WITH WHITE ENAMEL FINISH, DOME STRAINER AND 2" DEEP SEAL P-TRAP. PROVIDE HALF GRATE OVER SINK.	---	---	2"	2"
(HS-1)	HAND SINK - KOHLER 2023 "GREENWICH" (SIZE 20"x18") WITH K-T115 OPEN GRID STRAINER, MOEN L4601 FAUCET. 1/2" BALL STOPS AND 1-1/2" P-TRAP. PROVIDE INSULATING JACKET ON WATER AND WASTE PIPE.	1/2"	1/2"	1-1/2"	1-1/2"
(IM-1)	ICE MAKER - TO BE SUPPLIED BY OWNER AND INSTALLED BY CONTRACTOR. ROUGH-IN AND INSTALL 1/2" CM LINE WITH BALL TYPE SHUT-OFF VALVE AND RUN 3/4" DRAIN TO FLOOR SINK WITH AIR GAP.	---	1/2"	3/4" TO (FS-1)	---
(JS-1)	FLOOR MOUNTED SERVICE SINK - KOHLER K-6110 "WHITBY" W/ K-8440 WIRE RIM GUARD, K-8428 FAUCET ASSEMBLY AND K-4142 STRAINER WITH DEEP SEAL P-TRAP.	1/2"	1/2"	2"	2"
(RD-1)	ROOF DRAIN - JAY R SMITH MODEL 1010 SIZE 6" WITH UNDERDECK CLAMP. SEE DETAIL ON SHEET P200	---	---	6"	---
(S-1)	COUNTER TOP SINK - ELKAY LR-1919, 18-GA. S.S. LK-2325BHS CONCEALED MIXING FAUCET WITH GOOSENECK SPOUT AND BLADE HANDLES. LK-99 S.S. HEAVY DUTY DRAIN, 1/2" STOPS AND 1-1/2" P-TRAP.	1/2"	1/2"	1-1/2"	1-1/2"
(S-2)	SINGLE COMP. SINK WITH FAUCET - ELKAY MODEL LR-2219 WITH 18 GA TYPE 304 STAINLESS STEEL CONSTRUCTION, 3-HOLE FAUCET DRILLINGS, LK-4100 LEVER HANDLE FAUCET, LK-99 STRAINERS, 1-1/2" P-TRAP AND 1/2" BALL TYPE STOP VALVES.	1/2"	1/2"	1-1/2"	1-1/2"
(SR-1)	SIDE SPRAY RINGER - TO BE SUPPLIED BY OWNER AND INSTALLED BY CONTRACTOR. ROUGH-IN AND INSTALL 1/2" CM LINE WITH BALL TYPE SHUT-OFF VALVE AND 3/4" DRAIN TO FLOOR SINK WITH AIR GAP	---	1/2"	3/4" TO (FS-1)	---
(WC-1)	ADA TANK TYPE WATER CLOSET - KOHLER K-3421 "HIGHLINE" W/ ELONGATED BOWL, K-4610-C WHITE OPEN FRONT SEAT, BOLT CAPS AND 1/2" STOP VALVE.	---	1/2"	4"	2"
(WH-1)	ELECTRIC WATER HEATER - A.O. SMITH MODEL ECRT-50 50 GALLON ELECTRIC WATER HEATER WITH 4500 WATT UPPER & LOWER ELEMENTS (240/60/1). AMTROL 51-5 EXPANSION TANK, T&P VALVE. PROVIDE POWERS 3/4" LM-491-10 MIXING VALVE.	3/4"	3/4"	---	---

\* SEE PLUMBING FLOOR PLAN FOR FIXTURES TO BE INCLUDED IN VARIOUS PROJECT PHASES

SEAL:  
REV# DATE DESCRIPTION

PROJECT: **New Addition For: NEW PLYMOUTH FIRST BAPTIST CHURCH**  
204 East Elm Street  
New Plymouth, ID 83655  
MOUNTAIN WEST ARCHITECTS | 543.25TH ST. - OGDEN, UT 84401 | PH: 801-388-6052 | www.mountainwestarchitects.com

SHEET TITLE: **PLUMBING DETAILS & SCHEDULES**  
PROJECT: **NEW PLYMOUTH FIRST BAPTIST CHURCH**  
SHEET NUMBER: **P200**  
DO NOT SCALE DRAWING

PROFESSIONAL ENGINEER REGISTERED  
5762  
STATE OF IDAHO  
DWAYNE C. SUDWIKS

**ESA** **Engineered Systems Associates**  
1355 EAST CENTER  
POCATELLO, IDAHO 83201  
PHONE: (208) 233-0501  
FAX: (208) 233-0529  
EMAIL: esa@engsystems.com  
ESA JOB NUMBER: 18060

